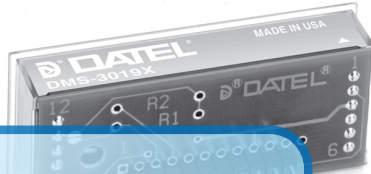


Alternate Source for DP-650 Series, 3½ Digit LCD Display Digital Panel Voltmeters



OBSOLETE PRODUCT
 Contact Factory for Replacement Model

FEATURES

- Replaces DP-650, DP-652 and DP-654 meters
- Connects directly to existing wiring
- ±2V input range
- Low power consumption
- Wider operating temperature range (0 to +60°C)
- Rugged, epoxy-encapsulated plastic packages
- Large (0.4"/10.2mm) LCD displays

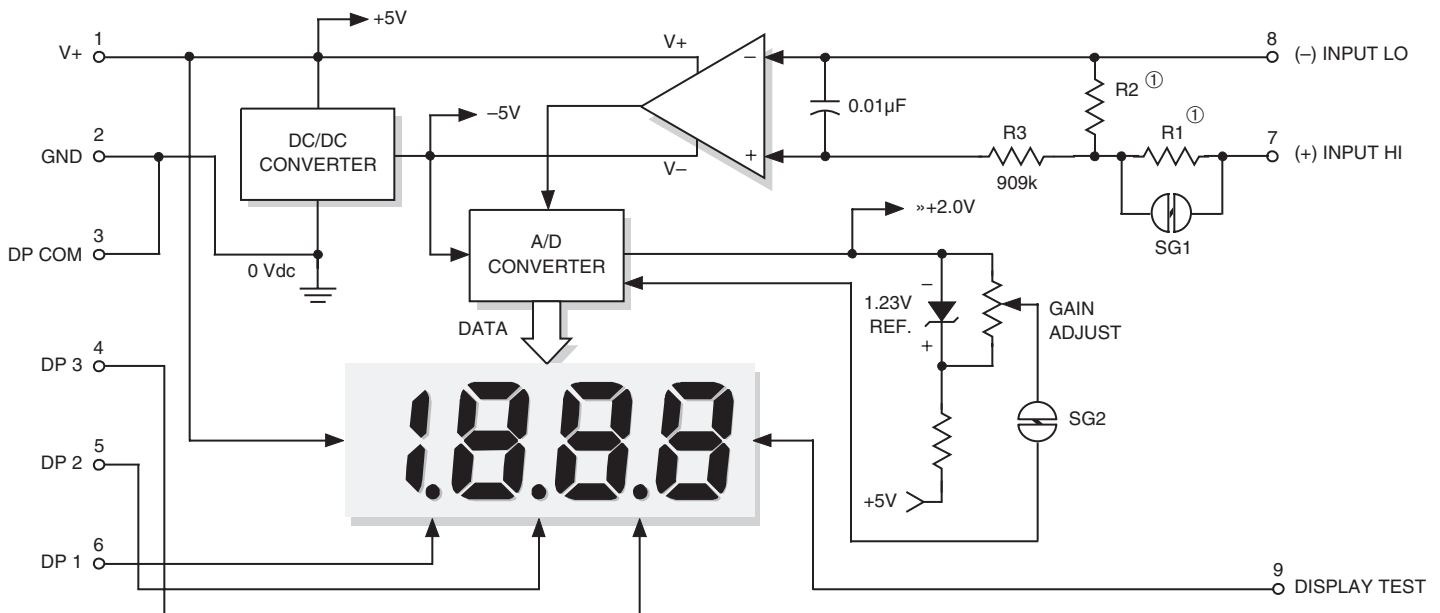
DATEL's DMS-3019X Series, 3½ Digit, LCD Display, Digital Panel Voltmeters provide DP-650 users with a superior-quality alternate source. The DMS-3019X Series input/output connector is pin-compatible with nearly all DP-650 applications. Only minor sheet-metal modifications are needed to attain all the advantages offered by the DMS-3019X Series digital voltmeters.

Provisions are also included for the addition of custom input-scaling resistors—a feature found only on DMS-3019X meters. Autozero calibration, autopolarity changeover and a factory-calibrated ultra-stable reference circuit are standard. A reliable, epoxy-encapsulated DMS-30LCD digital voltmeter, with large (0.4"/10.2mm) LCD digits, is used in all three models. All internal and external connections are 100% soldered—no elastomeric connectors are used.

The DMS-3019X Series offers many noteworthy improvements over its competitors: wider operating temperature range, lower power consumption and higher input impedance, to name a few. And, most importantly, all DATEL digital panel meters are designed and manufactured in the USA!

Ordering Information

| | |
|------------------|----------------------------------|
| DMS-30194 | ±2V input |
| DMS-30193 | ±200mV input (<i>Obsolete</i>) |
| DMS-30195 | ±20V input (<i>Obsolete</i>) |
| DMS-BZL1 | Bezel assembly |
| DMS-BZL2 | Bezel with gasket |
| DMS-30-CP | Panel cutout punch |

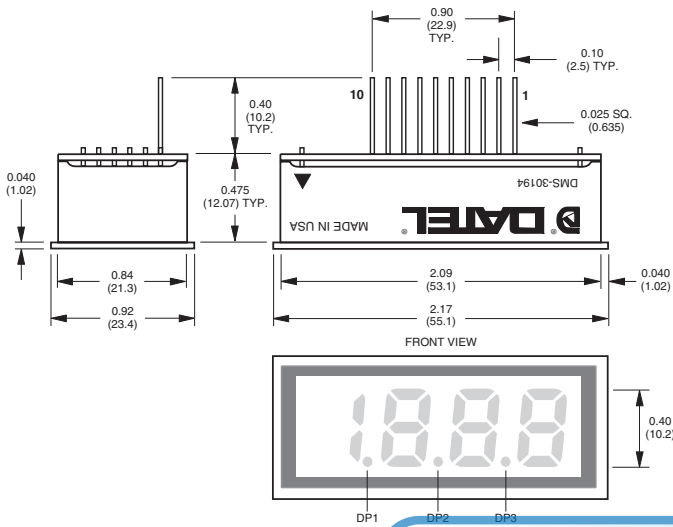


① R1 and R2 are user supplied

Figure 1. DMS-3019X Simplified Schematic

MECHANICAL SPECIFICATIONS

TOLERANCES: 2 PL DEC ±0.02 (±0.51) 3 PL DEC ±0.010 (±0.254)
 LEAD DIMENSIONS: 0.025 (0.635) x 0.025 (0.635) NOMINAL

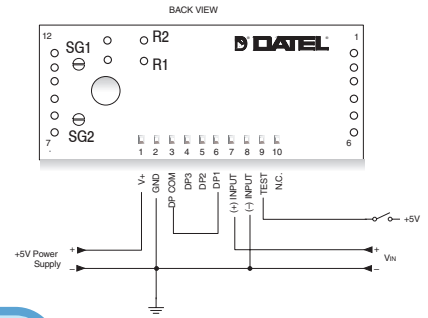


ELECTRICAL SPECIFICATIONS

Typical at TA = +25°C and supply voltage = +5V.

(See DMS-30LCD data sheet for more information.)

| | |
|----------------------------------|------------------------------------|
| Power Supply (V+ to GND) | +5Vdc, ±5% @ 1.2mA max. |
| Full Scale Input | See Ordering Information |
| Input Impedance | 1 Megohm |
| Sampling Rate | 3 Samples per second |
| Accuracy (VIN = +0.190V) | ±2 Counts max. (±0.1%) |
| Display Type | 3 1/2 Digit LCD, 0.40"/10.2mm high |
| Operating Temperature | 0 to +60°C |
| Storage Temperature | -20 to +75°C |
| Humidity (Non-condensing) | 0-95% |



Typical Single-ended Connections

BEZEL INSTALLATION AND RECOMMENDED BEZEL AND PANEL CUTOUT

OBSOLETE PRODUCT

Contact Factory for Replacement Model

