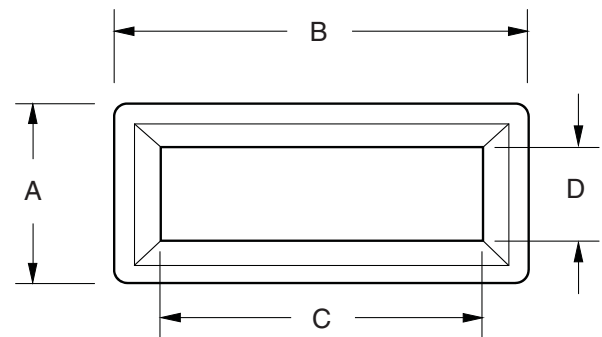




### SNAP-IN BEZELS FOR DMS-20PC/30PC/40PC RED LED METERS

DATEL part numbers 5252-01160-0 (for DMS-30PC and DMS-40PC red LED meters) and 5252-01161-0 (for DMS-20PC red LED meters) can be used when DMS meters are mounted on a pc-board which is situated behind a panel. Both bezels are made of black ABS plastic and easily snap into appropriately-sized cutouts (see chart for cutout dimensions) in metal panels whose thickness is between 0.040"(1.0mm) and 0.125"(3.2mm).

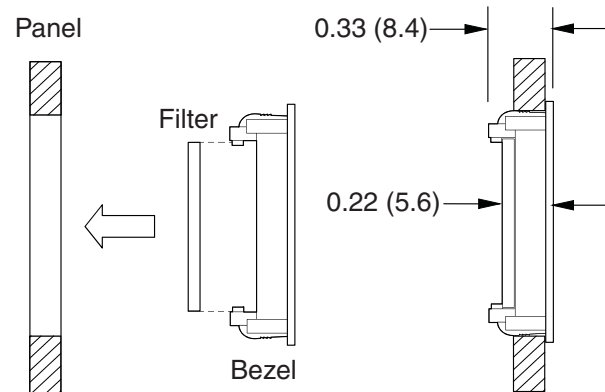
Both bezels come with a snap-in, 0.030"(0.8mm) thick, red acrylic lens which provides excellent on/off contrast. For optimum digit clarity, the spacing between the meter's front surface and the lens should be less than 0.200"(5.1mm). See application Note 16 for more information on behind-the-panel mounting.



Bezel Dimensions	A	B	C	D
5252-01161-0 DMS-20PC	1.343 (34.1)	1.906 (48.4)	1.375 (34.9)	0.812 (20.6)
5252-01160-0 DMS-30PC/40PC	1.343 (34.1)	2.531 (64.3)	2.0 (50.8)	0.812 (20.6)
Cutout Dimensions			Height	Width
5252-01161-0 DMS-20PC			1.156 (29.4)	1.750 (44.5)
5252-01160-0 DMS-30PC/40PC			1.156 (29.4)	2.375 (60.3)
Filter Dimensions			Height	Width
5252-01161-0 DMS-20PC			0.875 (22.2)	1.437 (36.5)
252-01160-0 DMS-30PC/40PC			0.875 (22.2)	2.087 (53.0)

Dimensions: in. (mm)      Tolerances:  $\pm 0.008$  ( $\pm 0.2$ )  
Filter Material is 0.030" (0.8) thick

### BEZEL AND FILTER INSTALLATION



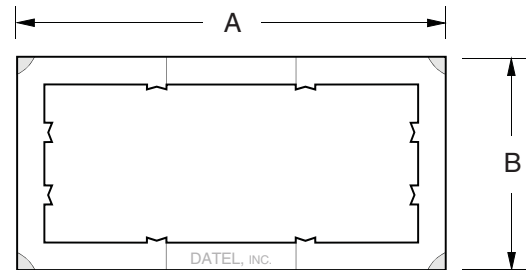
**RETAINING CLIPS FOR DMS-20 AND DMS-30/40**

Part numbers 5252-01126-0 (for all DMS-30/40 meters) and 5252-01127-0 (for all DMS-20 meters) metal retaining clips can be used as spares for damaged or lost clips and for securing blank cases to panels.

Bezel Dimensions	A	B
5252-01127-0	1.71	1.21
DMS-20PC	(43.4)	(30.7)
5252-01126-0	2.50	1.25
DMS-30PC/40PC	(63.5)	(31.8)

Dimensions: in. (mm)

Tolerances: ±0.02 (±0.5)



**RED CASES FOR DMS-20PC/30PC/40PC APPLICATIONS**

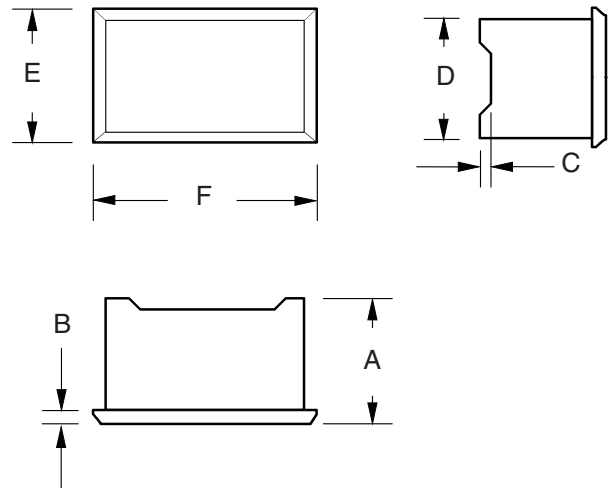
DATEL part numbers 5252-01145-0 (DMS-30/40PC size) and 5252-01130-0 (DMS-20PC size) are the same red plastic cases used in DMS-30/40 and DMS-20PC red LED display meters. These "blank" cases can be utilized to cover unused cutouts in multiple-meter applications. They can also be used to achieve a uniform appearance in applications which combine a red LED DMS meter with a user-supplied red LED display. Both cases can be secured to the panel in the same manner as their meter counterparts, that is, with either 5252-01120-0 (for DMS-30/40's) and 5252-01127-0 (for DMS-20's) retaining clips, or with DMS-BZL1 (for DMS-30/40's) and DMS-BZL3 (for DMS-20's) bezel assemblies.

Both cases are made from 0.040" (1.0mm) thick red polycarbonate plastic and are supplied with a removable protective film on their front surface which reduces scratching during handling and installation.

Bezel Dimensions	A	B	C	D	E	F
5252-01130-0	0.475	0.040	0.025	0.800	0.880	1.380
DMS-20PC	(12.1)	(1.0)	(0.6)	(20.3)	(22.4)	(35.1)
5252-01145-0	0.560	0.040	0.030	0.850	0.925	2.165
DMS-30PC/40PC	(14.1)	(1.0)	(0.8)	(21.6)	(23.5)	(55.0)

Dimensions: in. (mm)

Tolerances: ±0.008 (±0.2)



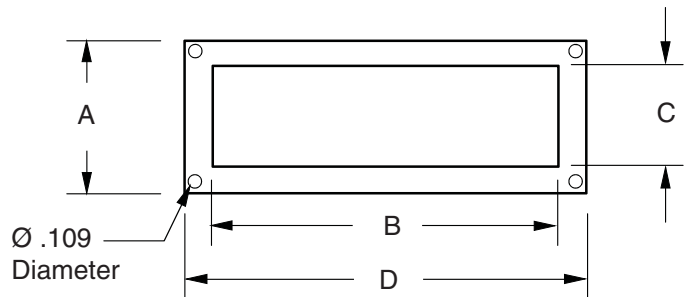
**Panel Cutouts:** See the Mechanical Specifications section of the DMS-20PC or DMS-30PC Series product data sheets for detailed panel cutout and panel mounting dimensions.

**CUTOUT ADAPTER FOR DMS-20/30/40 METERS**

DATEL offers two 0.020"(0.5mm) lexan adapter plates which, when used with DMS-BZL1 or DMS-BZL3 bezel assemblies, can compensate for irregular, less precise panel cutouts. These adapter plates can also be used to compensate for slightly larger cutouts when designing-in DATEL meters as alternate sources. 4652-01101-0 fits all DMS-30/40 meters and 4652-01100-0 fits all DMS-20 meters. As shown in the illustrations, the adapter plate is first placed around the meter's case and then the bezel assembly is installed in the normal manner using its factory-supplied hardware.

Adapter Dimensions	A	B	C	D
4652-01100-0 DMS-20PC	1.290 (32.8)	1.315 (33.4)	0.815 (20.7)	1.850 (47.0)
4652-01101-0 DMS-30PC/40PC	1.290 (32.8)	2.110 (53.6)	0.870 (22.1)	2.570 (65.3)

Dimensions: in. (mm)                      Tolerances: ±0.008 (±0.2)  
 Adapter Plate is 0.020 (0.5) thick



**ADAPTER PLATE INSTALLATION**

