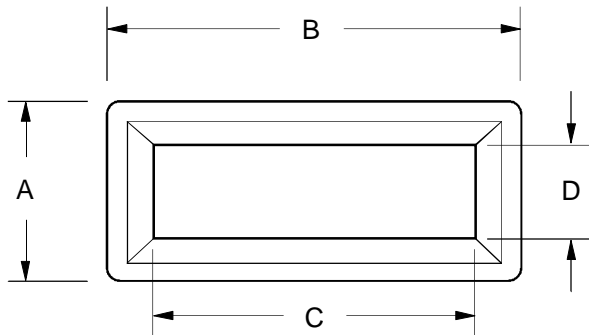


DMS Accessories

Panel-Mounting Hardware

Purchase on-line at www.datel.com

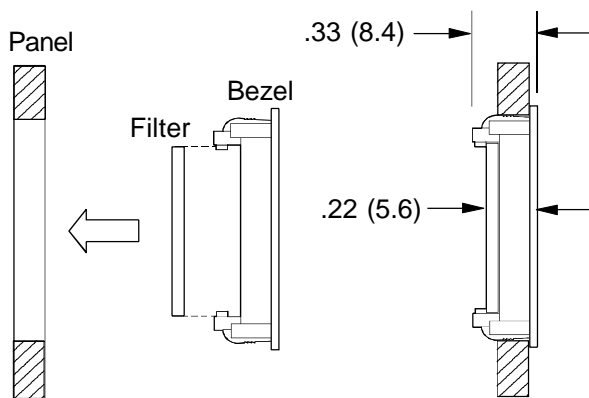
Snap-In Bezels for DMS-20PC/30PC/40PC Red LED Meters



Description: DATEL part numbers 39-2359620 (for DMS-30PC and DMS-40PC red LED meters) and 39-2359621 (for DMS-20PC red LED meters) can be used when DMS meters are mounted on a pc-board which is situated behind a panel. Both bezels are made of black ABS plastic and easily snap into appropriately-sized cutouts (see chart for cutout dimensions) in metal panels whose thickness is between 0.040"(1.0mm) and 0.125"(3.2mm).

Both bezels come with a snap-in, 0.030"(0.8mm) thick, red acrylic lens which provides excellent on/off contrast. For optimum digit clarity, the spacing between the meter's front surface and the lens should be less than 0.200"(5.1mm). See application Note 16 for more information on behind-the-panel mounting.

Bezel and Filter Installation



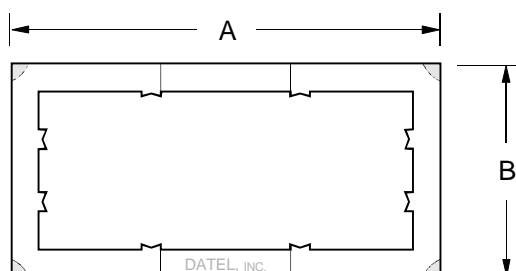
Bezel Dimensions	A	B	C	D	
39-2359621 DMS-20PC	1.343 (34.1)	1.906 (48.4)	1.375 (34.9)	0.812 (20.6)	
39-2359620 DMS-30PC/40PC	1.343 (34.1)	2.531 (64.3)	2.0 (50.8)	0.812 (20.6)	
Cutout Dimensions				Height	Width
39-2359621 DMS-20PC				1.156 (29.4)	1.750 (44.5)
39-2359620 DMS-30PC/40PC				1.156 (29.4)	2.375 (60.3)
Filter Dimensions				Height	Width
39-2359621 DMS-20PC				.875 (22.2)	1.437 (36.5)
39-2359620 DMS-30PC/40PC				.875 (22.2)	2.087 (53.0)

Dimensions: in. (mm)

Tolerances: ± 0.008 (± 0.2)

Filter Material is 0.030" (0.8) thick

Retaining Clips for DMS-20 and DMS-30/40



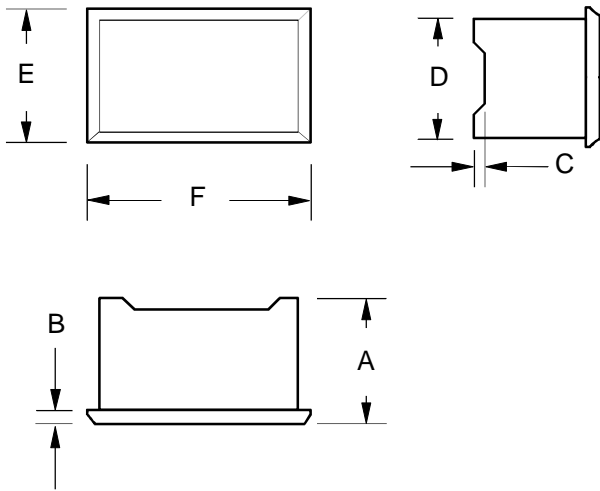
Description: Part numbers 39-2165110 (for all DMS-30/40 meters) and 39-2165105 (for all DMS-20 meters) metal retaining clips can be used as spares for damaged or lost clips and for securing blank cases to panels.

Clip Dimensions	A	B
39-2165105 DMS-20	1.71 (43.4)	1.21 (30.7)
39-2165110 DMS-30/40	2.50 (63.5)	1.25 (31.8)

Dimensions: in. (mm)

Tolerances: ± 0.02 (± 0.5)

Red Cases for DMS-20PC/30PC/40PC Applications



Panel Cutouts: See the Mechanical Specifications section of the DMS-20PC (data sheet number DS-0271) or DMS-30PC (data sheet number DS-0258) Series product data sheets for detailed panel cutout and panel mounting dimensions.

Description: DATEL part numbers 39-2359513 (DMS-30/40PC size) and 39-2359550 (DMS-20PC size) are the same red plastic cases used in DMS-30/40 and DMS-20PC red LED display meters. These "blank" cases can be utilized to cover unused cutouts in multiple-meter applications. They can also be used to achieve a uniform appearance in applications which combine a red LED DMS meter with a user-supplied red LED display. Both cases can be secured to the panel in the same manner as their meter counterparts, that is, with either 39-2165110 (for DMS-30/40's) and 39-2165105 (for DMS-20's) retaining clips, or with DMS-BZL1 (for DMS-30/40's) and DMS-BZL3 (for DMS-20's) bezel assemblies.

Both cases are made from 0.040"(1.0mm) thick red polycarbonate plastic and are supplied with a removable protective film on their front surface which reduces scratching during handling and installation.

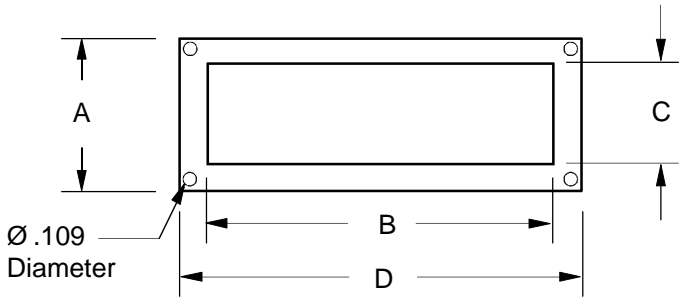
Case Dimensions	A	B	C	D	E	F
39-2359550 DMS-20PC	0.475 (12.1)	0.040 (1.0)	0.025 (0.6)	0.800 (20.3)	0.880 (22.4)	1.380 (35.1)
39-2359513 DMS-30PC/40PC	0.560 (14.1)	0.040 (1.0)	0.030 (0.8)	0.850 (21.6)	0.925 (23.5)	2.165 (55.0)

Dimensions: in. (mm)

Tolerances: ±0.008 (±0.2)

Cutout Adapter Plates for DMS-20/30/40 Meters

Description: DATEL offers two 0.020"(0.5mm) lexan adapter plates which, when used with DMS-BZL1 or DMS-BZL3 bezel assemblies, can compensate for irregular, less precise panel cutouts. These adapter plates can also be used to compensate for slightly larger cutouts when designing-in DATEL meters as alternate sources. 39-2359622 fits all DMS-30/40 meters and 39-2359623 fits all DMS-20 meters. As shown in the illustrations, the adapter plate is first placed around the meter's case and then the bezel assembly is installed in the normal manner using its factory-supplied hardware.



Adapter Dimensions	A	B	C	D
39-2359623 DMS-20	1.290 (32.8)	1.315 (33.4)	0.815 (20.7)	1.850 (47.0)
39-2359622 DMS-30/40	1.290 (32.8)	2.110 (53.6)	0.870 (22.1)	2.570 (65.3)

Dimensions: in. (mm)

Tolerances: ±0.008 (±0.2)

Adapter Plate is 0.020 (0.5) thick

Adapter Plate Installation

