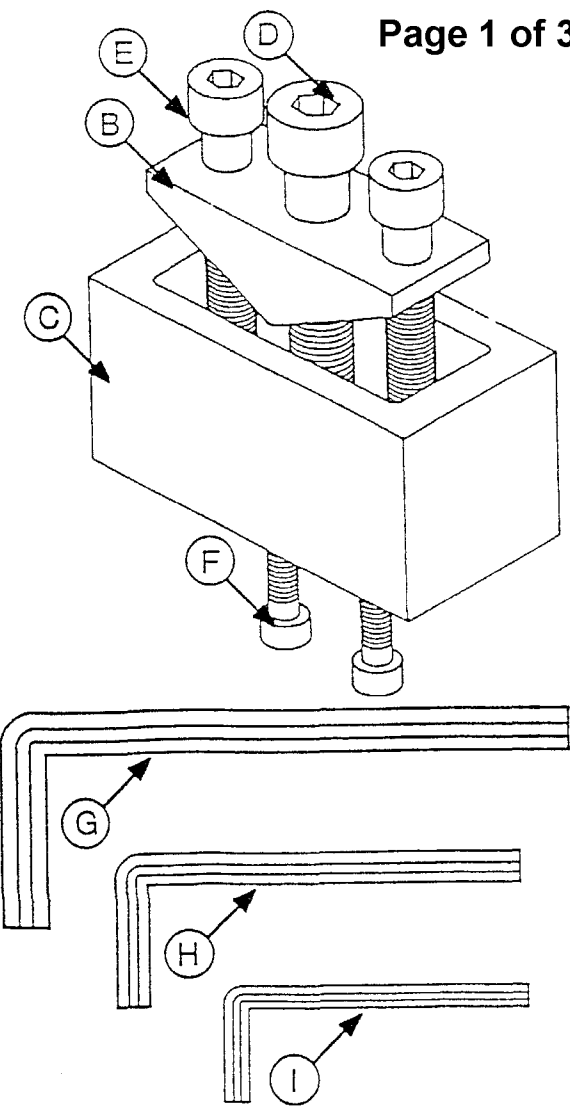


DMS-30-CP
Panel Cutout Punch Instructions
 For use with all DMS-30 AND
 DMS-40 Series meters

Re-use this container since the wrenches and screws are not standard. Keep all components together. Please note that this document is not an original; the templates shown are not actual size and should be used for reference only.

MODEL DMS-30-CP PANEL PUNCH

PATENTED

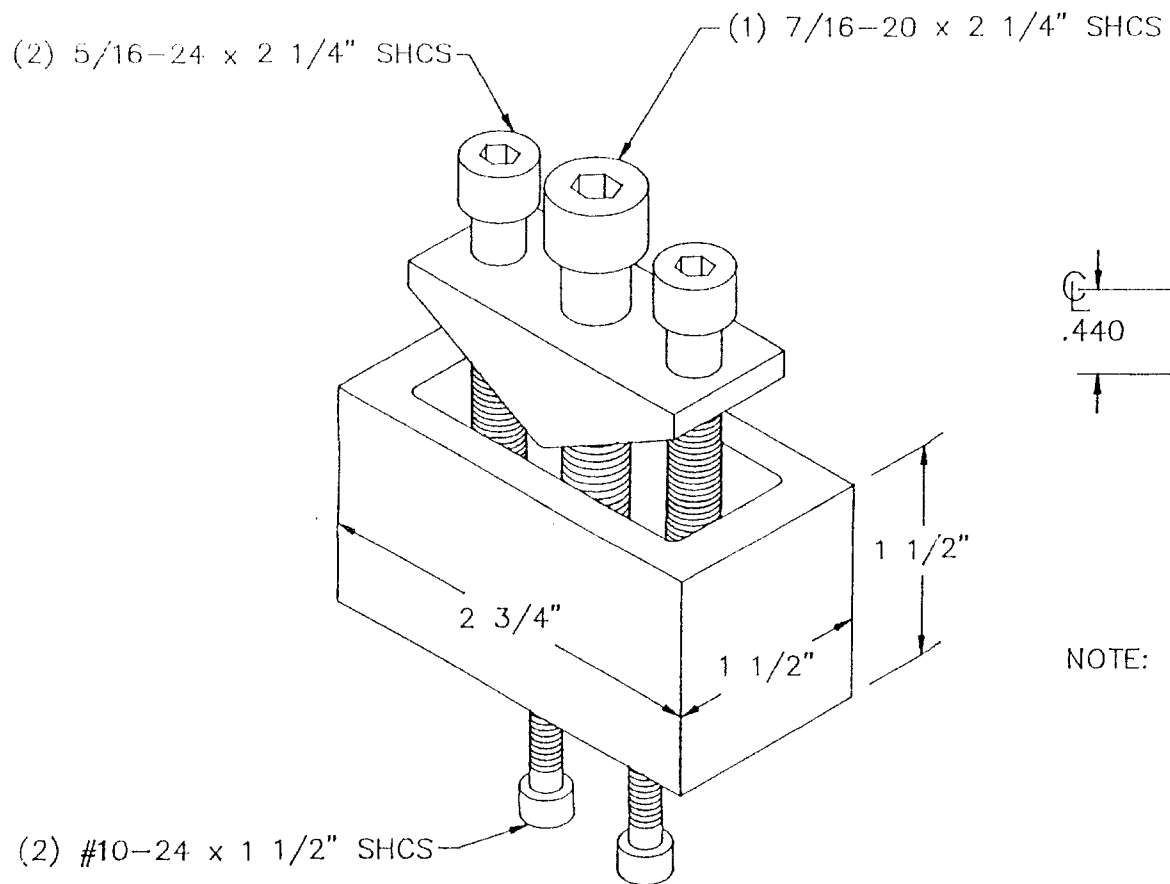


ITEM	QUANTITY	PART NO.	DESCRIPTION
A	1	DWG-DMS-30	Layout Drawing
B	1	DMS-30P	Punch
C	1	DMS-30D	Die
D	1	DCS-3	Draw Screw
E	2	DCS-4	Draw Screw
F	2	DE-5	Eject Screw
G	1	AW-D3	3/8" Hex Key
H	1	AW-D4	1/4" Hex Key
I	1	AW-E5	5/32" Hex Key

D® **DATEL**® DATEL, INC.
 11 CABOT BLVD. MANSFIELD, MA. 02048
 Telephone: (508) 339-3000 FAX: (508) 339-2825 www.datel.com

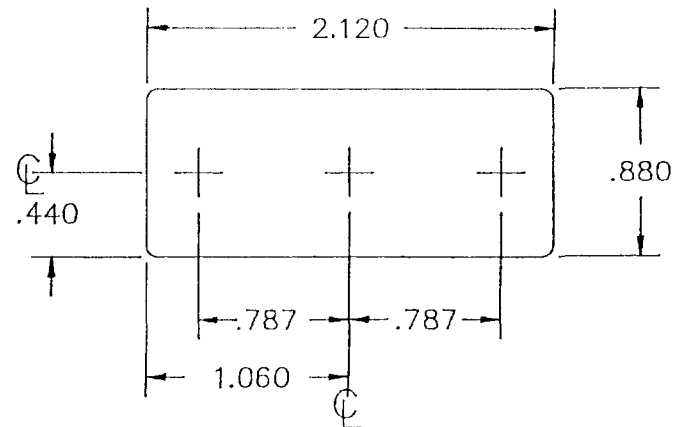
DATEL makes no representation that the use of its products described herein, or the use of other technical information contained herein, will not infringe upon existing or future patent rights. The descriptions contained herein do not imply the granting of licenses to make, use, or sell equipment constructed in accordance therewith. Specifications are subject to change without notice. The DATEL logo is a registered DATEL, INC. trademark.

All dimensions are in inches.



NOTE: When locating the opening, be sure there are adequate clearances for Punch/Die unit.

!IMPORTANT!
The template shown below is NOT to scale---do not use it for making hole and/or panel cutouts.



NOTE: A template can be made to these dimensions; or the 3 screw holes can be drilled (as per the instruction sheet) on these centers.

ITEM A
**Template detail &
Hole locations for
DATEL PANEL PUNCH
MODEL DMS-30-CP**

THIS IS A HAND TOOL AND
USE OF POWER TOOLS
INSTEAD OF THE ALLEN
WRENCHES PROVIDED VOIDS
ALL WARRANTIES.

I N S T R U C T I O N S

1. IT MAY be to your advantage (in the interest of speed) to make a metal template using dimensions provided with the layout drawing. In any event, locate, mark, centerpunch and drill these three holes according to items (2) and (3) below.
2. CENTER PUNCH at the points you have marked.
3. DRILL the outer two holes with a 21/64 inch drill; drill the center hole with a 29/64 inch drill.
4. CLEAN and LUBRICATE the area to be punched. Any oil (or even vegetable shortening) will allow the punch to work easier.
5. INSERT these three Draw Screws into their holes on the punch, through the 3 holes you drilled in the panel, and thread them into their holes in the die.
6. AFTER properly aligning punch to die and snugging the 3 draw screws hand tight, use the hex keys to tighten the draw screws (alternately if necessary) and thus cut the hole. When cutting lighter material, the entire hole can usually be made by use of the center draw screw only; the screws on either side are then used only to correct any tilting of the punch as related to the die.
7. REMOVE the 3 draw screws after the hole is punched and the die should readily release from the punch.
8. REMOVE the punch from the panel. Tapping the punch lightly with a hammer will make it move easily through the panel.
9. REMOVE the slug. Thread the 2 ejector screws into the bottom of the die and tighten until the slug is forced from the die.

