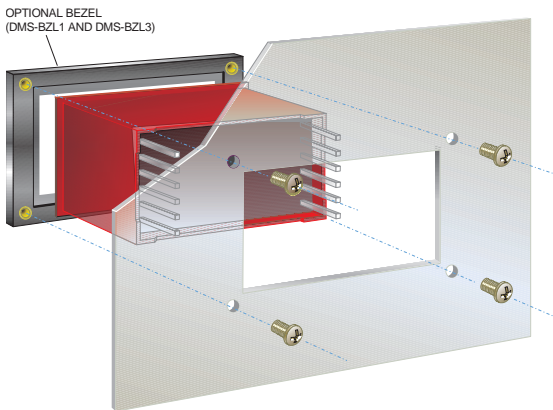


# Typical Meter Installations

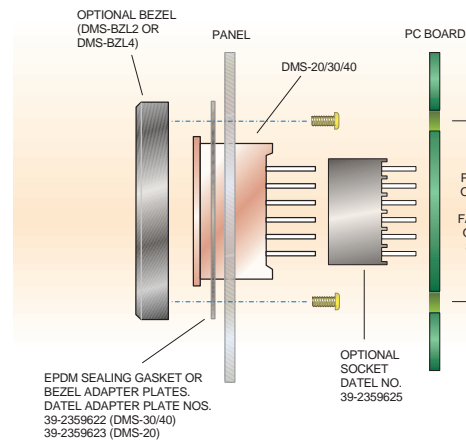
The unique packaging of DMS Series panel meters makes them ideal for use in traditional panel-mount applications and not-so-traditional printed circuit board applications. This application note illustrates the more popular methods of panel mounting DATEL's

state-of-the-art digital panel meters. The illustrations shown are generic in nature and apply to all DMS-20/30/40 meters and 2-wire instruments. Panel cutout and drill dimensions are shown in the individual product data sheets.

## Bezel Assembly and PC Board Mounting



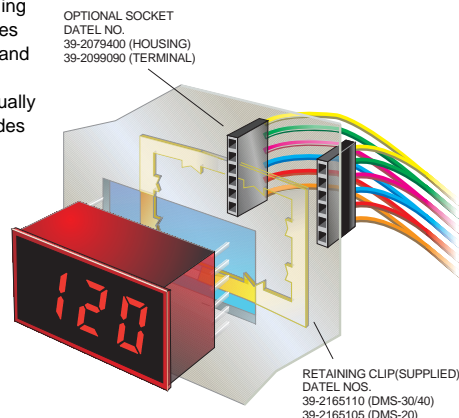
Four ABS-plastic bezel assemblies are available (see Ordering Guides) for aesthetics or environmentally-demanding applications. For those applications requiring moisture and/or dust resistance, two bezels are offered with EPDM sealing gaskets. The gasket is installed around the meter and seals the perimeter of the bezel/meter/panel interface. For added durability, all bezels feature threaded metallic screws and inserts.



Two adapter plates are available enabling DMS meters to be installed in irregular, "less-precise" panel cutouts. These plates can also be used to compensate for larger cutouts encountered when designing-in DATEL meters as alternate sources. Contact DATEL for details. The use of board-mounted sockets simplifies installation and provides the necessary support for less-demanding applications. Make sure the sockets are designed to accommodate the meter's 0.025" square, solder-plated pins.

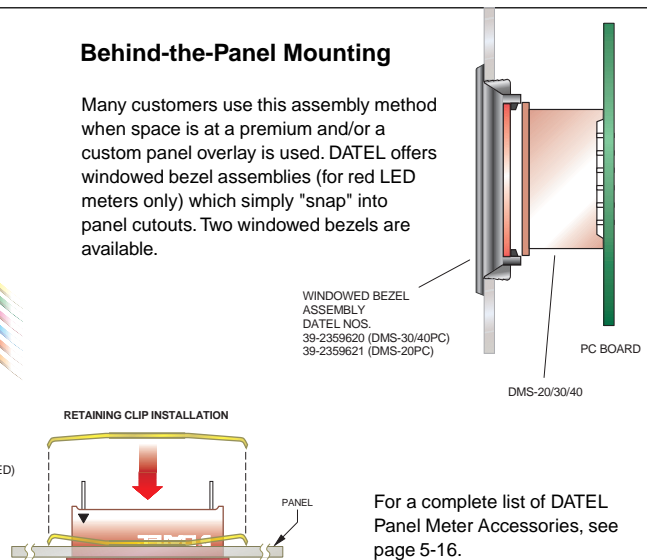
## Retaining Clip Mounting

The preformed, metal retaining clip supplied with DMS Series meters implements a quick and secure, cost-effective panel mounting method. The manually installed retaining clip provides a smooth, flush-mounted installation that occupies a minimal amount of front panel real estate.



## Behind-the-Panel Mounting

Many customers use this assembly method when space is at a premium and/or a custom panel overlay is used. DATEL offers windowed bezel assemblies (for red LED meters only) which simply "snap" into panel cutouts. Two windowed bezels are available.



For a complete list of DATEL Panel Meter Accessories, see page 5-16.