



FEATURES

- Self-powered, two-terminal operation
- 350 to 600Vac operating input range
- Half-wave averaging, rms calibrated
- Large, easy-to-read, bright red LED display
- Rugged, epoxy-encapsulated construction
- Built-in bezel for panel mounting
- Reliable screw terminals for easy installation
- Small 1.38" x 0.88" x 1.0" package

FUNCTIONAL SPECIFICATIONS

Input

Voltage Range ① 350-600Vrms (47-63Hz)
Current Consumption 50mArms (max.)

Performance

Sampling Rate 2.5 readings/second
Measurement Type Half-wave average, rms calibrated

Accuracy @ +25°C for sinusoidal input ±1V (typ.), ±2V (max.)
Temperature Drift (-25 to +60°C) ±0.15 Volts/°C (max.)

Mechanical

Dimensions 1.38" x 0.88" x 1.00"
Display Type 3 digit, red LED, 0.37"/9.4mm
Weight 1 ounce (28 grams)
Case Material Polycarbonate

Environmental

Operating Temperature -25 to +60°C
Storage Temperature -40 to +75°C
Humidity (Non-condensing) 0 to 95%

① Operation and accuracy at inputs above or below this range are not specified.

ORDERING INFORMATION

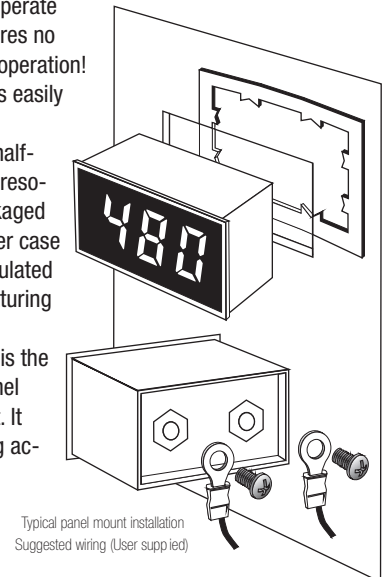
- DMS-20PC-3-LM-C** 350-600Vac line monitor with screw terminals and screws
DMS-BZL3-C Panel mount bezel
DMS-BZL4-C Panel mount bezel with sealing gasket
DMS-20-CP Panel cutout punch

Brass screws (6-32 thread) and a panel-mount retaining clip are supplied with each meter.

DATEL's DMS-20PC-3-LM is a low-cost, self-powered, 2-wire digital voltmeter designed for monitoring 480Vac 3-phase primary power. The DMS-20PC-3-LM's unique power-supply design allows a single model to operate from 350 to 600Vac (47-63Hz). The meter requires no external components or auxiliary power for full operation! Its large, 0.37"/9.4mm, bright red LED display is easily readable under virtually all lighting conditions.

DMS-20PC-3-LM employs rms calibrated, half-wave sinusoidal averaging to achieve a display resolution of 1Vac over its full operating range. Packaged in a subminiature (1.38" x 0.88" x 1.0") red-filter case with a built-in bezel, the meter is epoxy encapsulated for ruggedness. An optional bezel assembly, featuring metal fasteners, simplifies panel mounting.

This easy-to-use, vibration-proof voltmeter is the ideal digital upgrade for fragile analog-style panel meters in 480Vac power distribution equipment. It similarly excels in any new application requiring accurate, high-voltage, ac line monitoring.



MECHANICAL SPECIFICATIONS

Dimensions in inches (millimeters)
Tolerances: 2 PL Dec ±0.02 (±0.51)
3 PL Dec ±0.010 (±0.254)
Recommended panel cutout dimensions:
1.336 (33.93)W x 0.838 (21.29)H
Internal corner radii 0.032 (0.81) Max.

